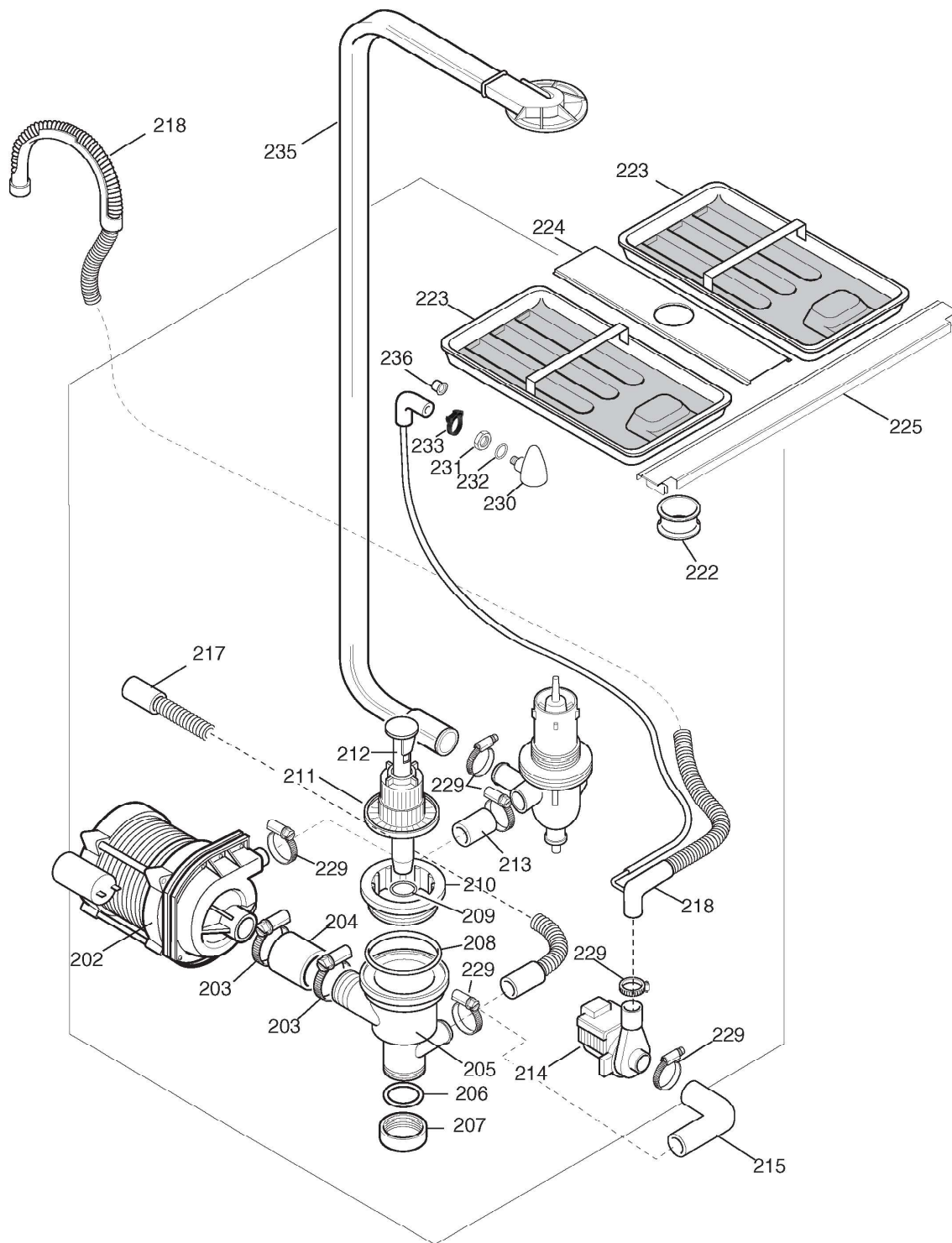


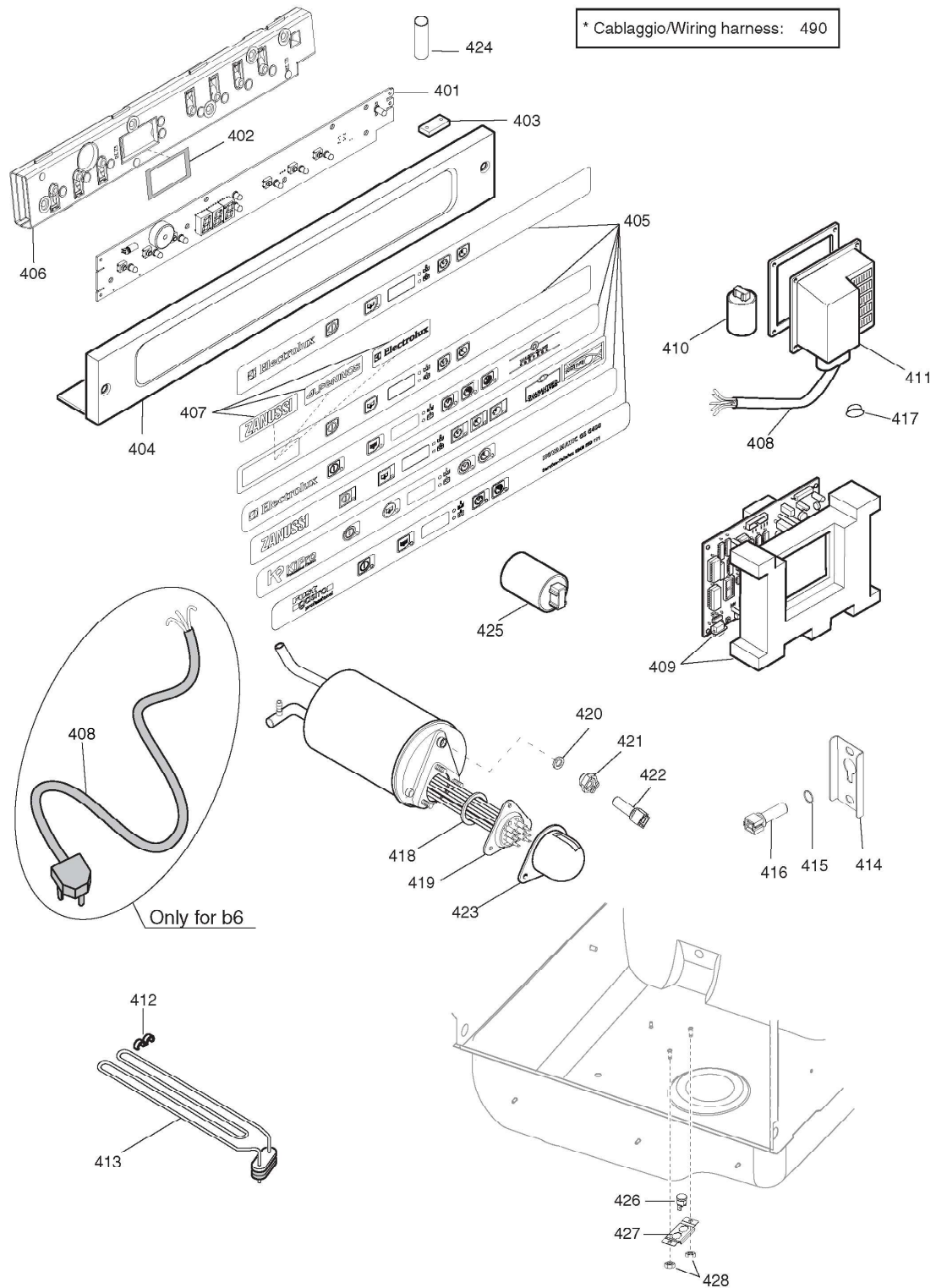
Vista generale / Main View

Da Ser. Nr./ From Ser.nr.: 839...	Page: 3	Ed. 2011 - 07	Doc. Nr.: 595665K00
-----------------------------------	---------	---------------	---------------------



Componenti idraulici / Hydraulic components

Doc. Nr.: 595665K00	Ed. 2014 - 12 Page: 4	Da Ser. Nr./ From Ser.nr.: 839...
----------------------------	-------------------------------------	--



Componenti elettrici / Electrical components

Da Ser. Nr./ From Ser.nr.: 839...	Page: 7	Ed. 2017 - 07	Doc. Nr.: 595665K00
-----------------------------------	---------	---------------	---------------------