



Service-Manual

Microwave oven

AVM 612 WH

Model Version		Page
AVM 612 WH 8538 612 35281		
	Introduction safety	2
	Technical data	3
	Spare part list	4
	Exploded view	5
	Wiring diagram	6 - 7

Introduction safety

INTRODUCTION

Before leaving the factory each oven is carefully checked.
It must, however, be installed and used correctly.

Despite all the steps taken to make the oven safe, the safety is dependent on the correct installation and the fact the user understands how to use and maintain the oven.

The information in this section should be used as a reminder that the oven is safe and that anyone who uses it must first read the instructions for use in order to be able to use the oven correctly and obtain best results.

SAFETY

To avoid injury to yourself and damage to the appliance always work to the following rules when servicing an oven.

Always disconnect the plug from the mains before starting work.

If there is no plug switch off the electric supply at the control box.

When you have finished servicing an oven before you reconnect it to the mains, make sure that:

- all the internal connections are correct
- the wires are insulated and not touching the door or the cabinet or anything sharp
- all the earth connections are electrically and mechanically sound
- do not modify or anyway interfere with the safety devices built-in to the oven

- make sure that each replacement part you use conforms to the manufacturer's specifications

Do not start a repair if you have any doubt as to your ability to complete it.

CAUTION - MICROWAVE RADIATION

PERSONNEL SHOULD NOT BE EXPOSED TO THE MICROWAVE ENERGY WHICH MAY RADIATE FROM THE MAGNETRON, WAVEGUIDE OR ANTENNA IF THEY ARE IMPROPERLY USED OR CONNECTED. ALL INPUT AND OUTPUT MICROWAVE CONNECTIONS, WAVEGUIDES, FLANGES AND GASKETS MUST BE SECURE. NEVER OPERATE THE DEVICE WITHOUT A MICROWAVE ENERGY ABSORBING LOAD ATTACHED. NEVER LOOK INTO AN OPEN WAVEGUIDE OR ANTENNA WHILE THE DEVICE IS ENERGIZED. NEVER OPERATE AN OVEN WITH CABINET OFF WITHOUT MEASURING THE MICROWAVE LEAKAGE AROUND MAGNETRON AND VISIBLE MICROWAVE CONNECTIONS (WELDING JOINTS).

Do not operate the oven if the following conditions exist:

- the door does not close firmly against the door support because of the door being warped or the hinges damaged.
- The door trims or seals are damaged.
- If there is any visible damage to the oven.
- if the door does not close properly.

Avoid operating the oven if known components in the interlock system, oven door or microwave generating assembly are known defective. They must be replaced.

WARNING - HIGH VOLTAGE

IT IS POSSIBLE TO COME IN CONTACT WITH LETHAL HIGH VOLTAGE WHEN WORKING WITH HV TRANSFORMER, HV CAPACITOR AND MAGNETRON. THEREFORE NEVER TRY TO MEASURE THE HIGH VOLTAGE. ALWAYS TAKE UTMOST CARE WHEN PERFORMING ELECTRIC MEASUREMENTS INSIDE THE OVEN.

Technical data**Dimensions of cabinet**

Height	227	mm
Width	525	mm
Depth	338	mm

Dimensions of cavity

Height	210	mm
Width	340	mm
Depth	290	mm
Cavity volume	20	l
Turntable diameter	280	mm

Weight

Net	16,8	Kg
Packed	17,5	Kg

Electrical

Voltage	230-240	V
Frequency	50	Hz
Power consumption	2600	W
Current consumption	11	A

Power

Output power	900	W
Microwave frequency	2450	MHz

Timer

mech.	60	min
-------	----	-----

Accessories

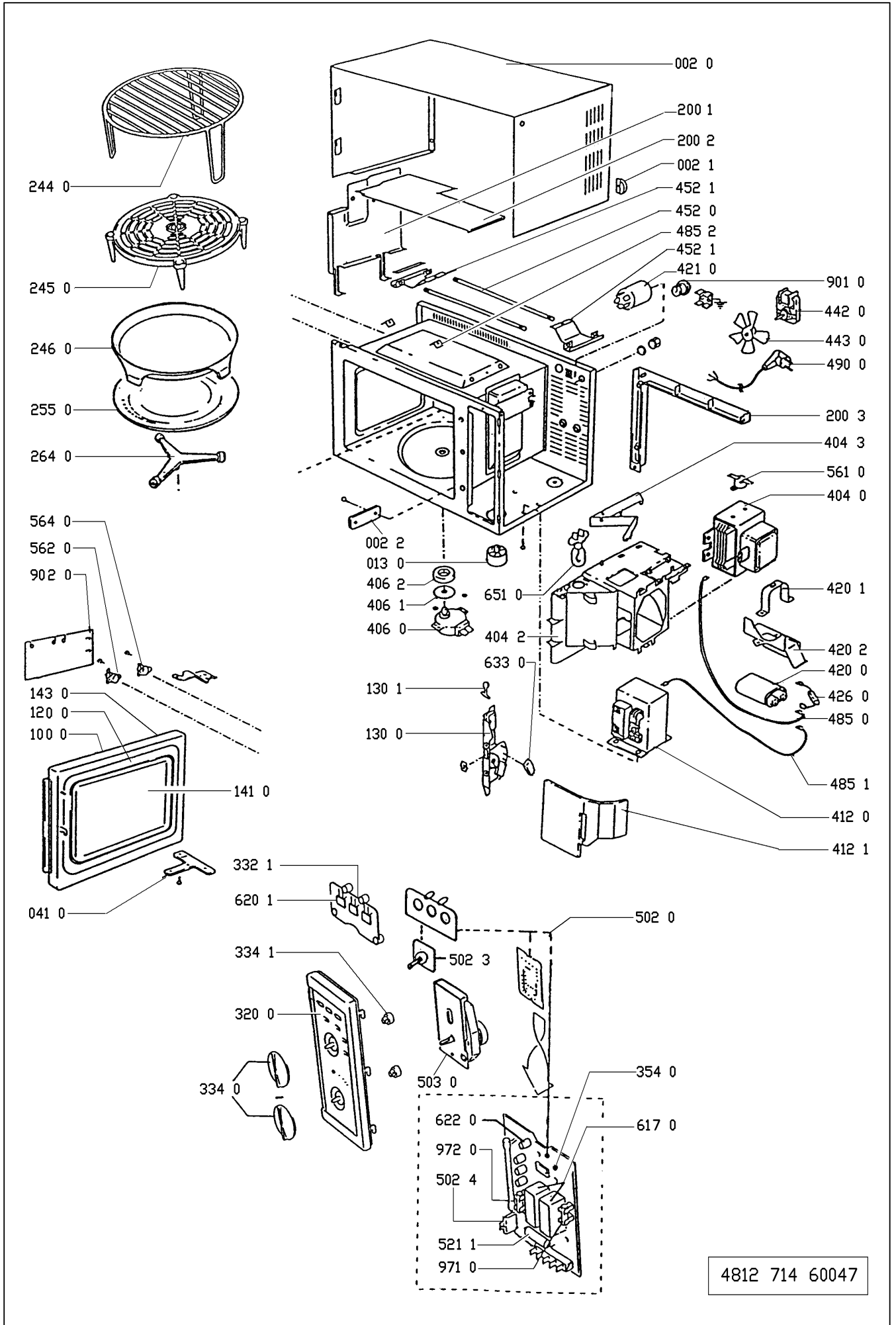
Built in kit (optional)

Spare part list

Model AVM 612 WH
Service No. 853861235281
Version 853861235281

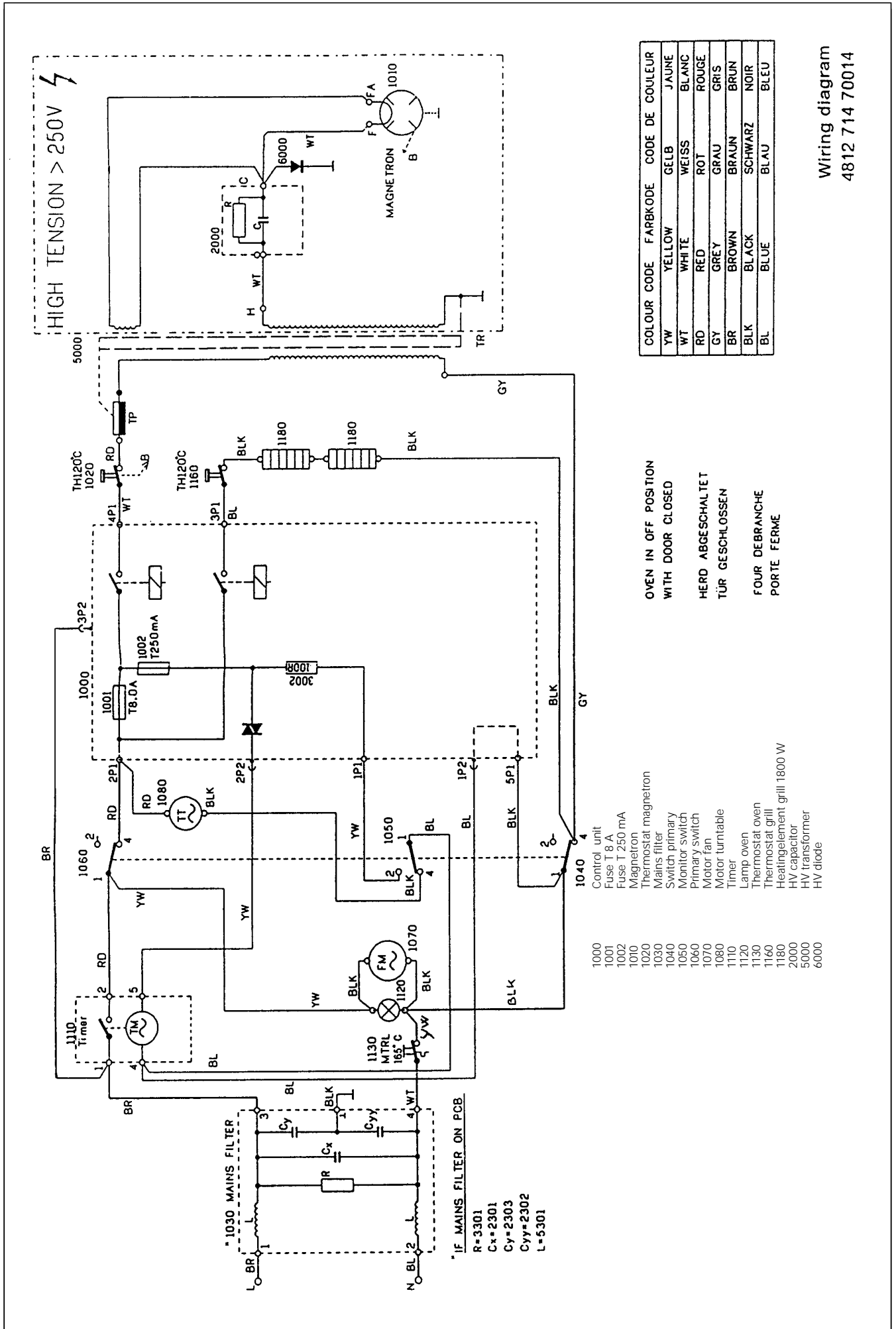
Pos. No.	12NC Code	Description	from	to
002 0	4819 440 59448	Cabinet WH		
002 1	4819 466 98741	Spacebar WH		
002 2	4819 440 59444	Plate, upper		
002 2	4819 462 79625	Small plate, low		
013 0	4819 462 79423	Foot		
041 0	4819 417 19248	Hinge, lower		
100 0	4819 440 59462	Door cpl. WH		
120 0	4819 459 48541	Door frame inner part		
130 0	4819 271 38148	Unit, pushbutton		
130 1	4819 404 78492	Lever		
141 0	4819 450 69504	Oven glass WH		
143 0	4819 459 48549	Door frame outer WH		
200 1	4819 462 38672	Air guide side		
200 2	4819 462 38671	Air guide top		
200 3	4819 462 38669	Air guide rear		
244 0	4819 458 19898	Stand high		
245 0	4819 466 98731	Stand optional		
246 0	4819 466 89065	Crisp plate not shown		
255 0	4819 466 78218	Turntable glass		
264 0	4819 535 78131	Crosspiece for turntable		
320 0	4819 453 49486	Panel, control WH		
332 1	4819 410 28575	Unit, pushbutton WH		
334 0	4819 413 58916	Switch, toggle WH		
334 1	4819 413 38126	Clip Knob inner		
354 0	4819 130 38055	LED		
404 0	4819 131 58019	Magnetron		
404 2	4819 526 48298	Air guide		
404 3	4819 526 48297	Air guide		
406 0	4819 361 18292	Motor for rotary plate		
406 1	4819 532 68666	Ring, rubber		
406 2	4819 532 68665	Gasket gum		
412 0	4819 148 68057	Transformer HT SA Version		
412 1	4819 462 38665	Air guide		
420 0	4819 121 48016	Capacitor HT		
420 1	4819 404 78491	Holder		
420 2	4819 325 18036	Insulation		
421 0	4819 121 18197	Filter mains		
426 0	4819 218 38038	Diode HV		
442 0	4819 361 18313	Motor fan		
443 0	4819 361 18314	Fan wheel		
452 0	4819 259 98261	Tube, heating IR		
452 1	4819 404 78511	Bracket right		
485 0	4819 320 28014	Cable HT		
485 1	4819 320 28013	Cable HT		
485 2	4819 466 98742	Guide cable		
490 0	4819 321 18129	Cable, mains SA		
502 0	4819 214 78405	Control unit		
502 3	4819 105 18006	Potentiometer		
502 4	4819 130 28006	Triac		
503 0	4819 282 18598	Time switch		
521 1	4819 113 88001	Resistor 100 Ohm		
561 0	4819 282 48247	Thermostat 145 C		
562 0	4819 282 48242	Thermostat 165C		
564 0	4819 282 48243	Thermostat 120 C		
617 0	4819 280 28005	Relay 48V		
622 0	4819 276 18111	Microswitch VKS-switch		
633 0	4819 271 38151	Microswitch		
651 0	4819 134 88151	Lamp cavity 240V 25W		
901 0	4819 401 18512	Strain relief		
902 0	4819 325 28039	Foil holder		
971 0	4819 253 38019	Fuse T8 A		
972 0	4819 253 38006	Fuse T100mA		

Exploded view



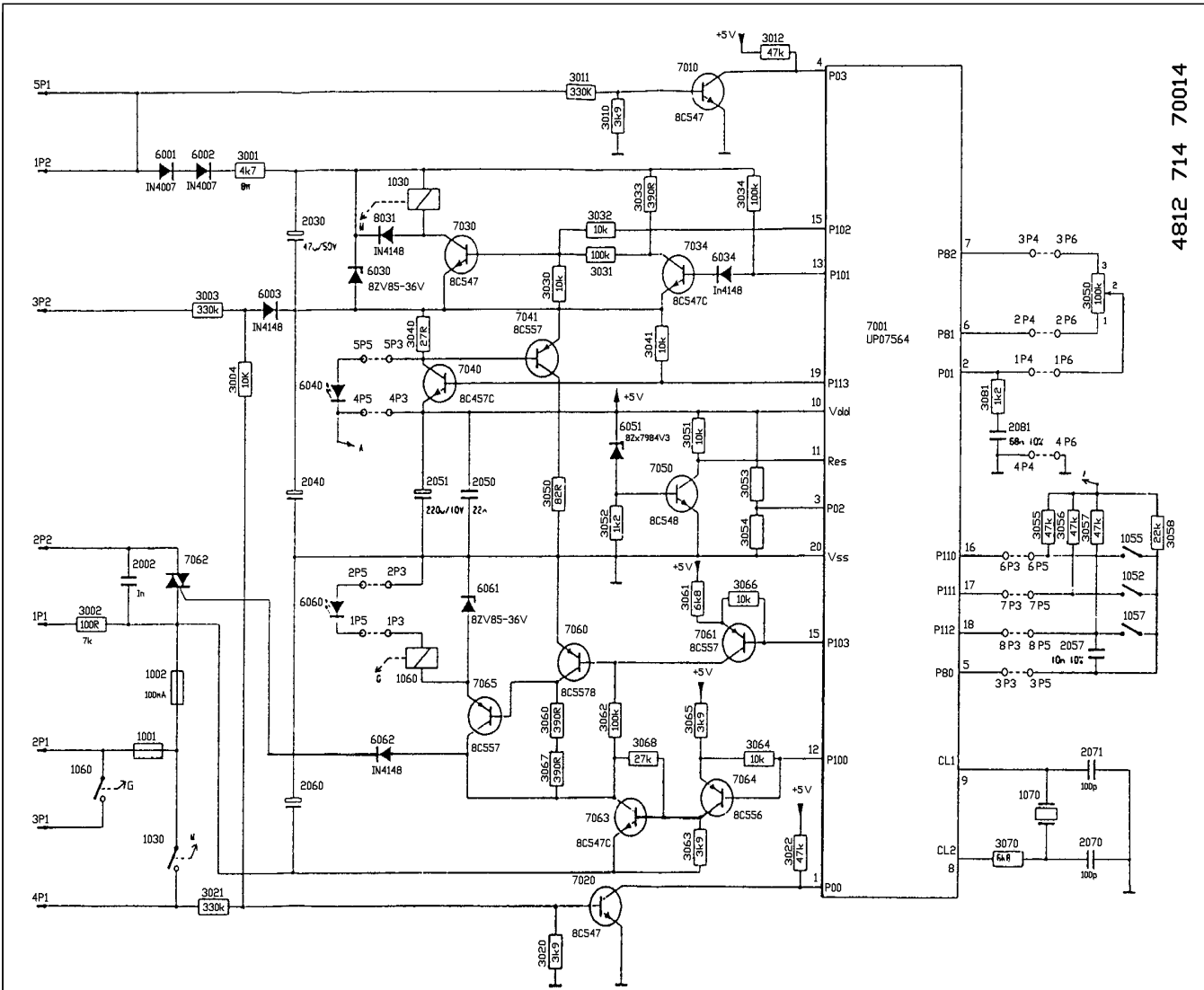
4812 714 60047

Wiring diagram

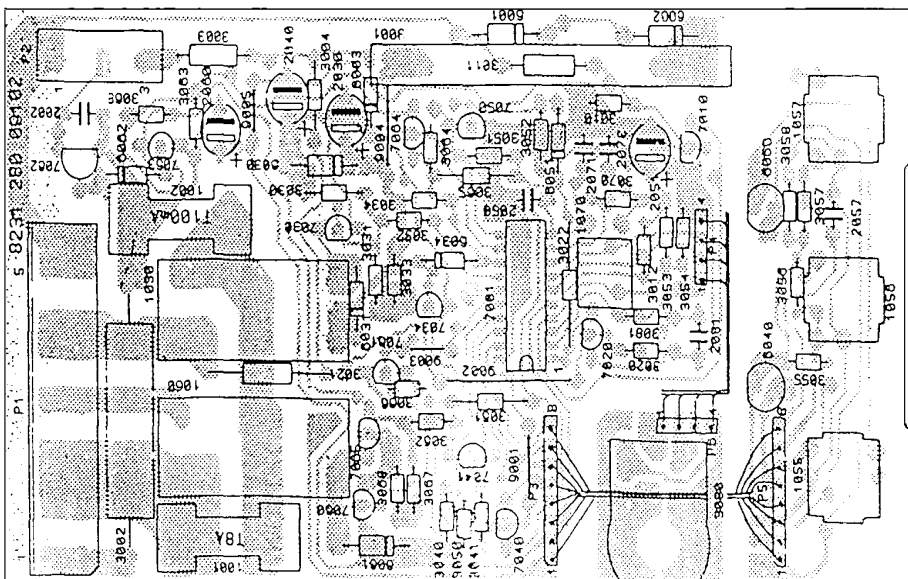


Wiring diagram
 4812 714 70014

Wiring diagram



4812 714 70014



BOARD ASSY	3053	3054	2057
4231 088 45490	10 k	100 k	not present
4231 088 45580	10 k	100 k	10 n 10%
4231 088 45590	100 k	10 k	not present
4231 088 45600	100 k	10 k	10 n 10%