

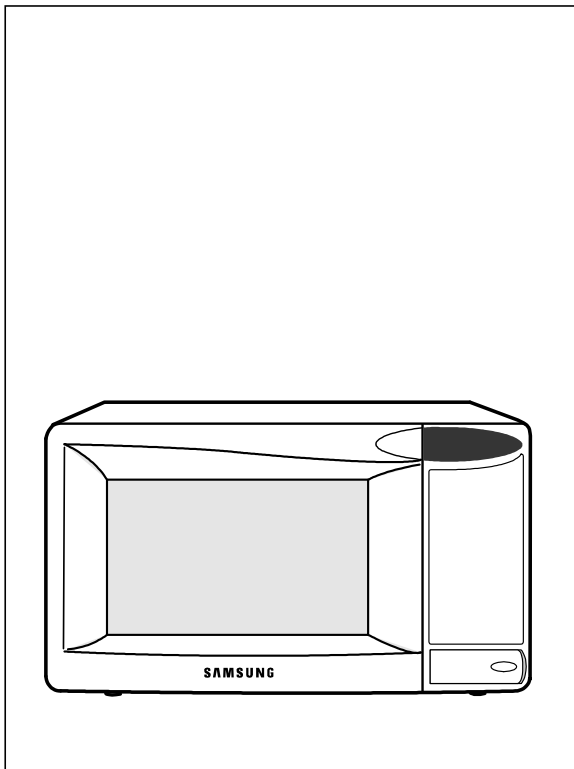


MICROWAVE OVEN

M1933N

SERVICE *Manual*

MICROWAVE OVEN



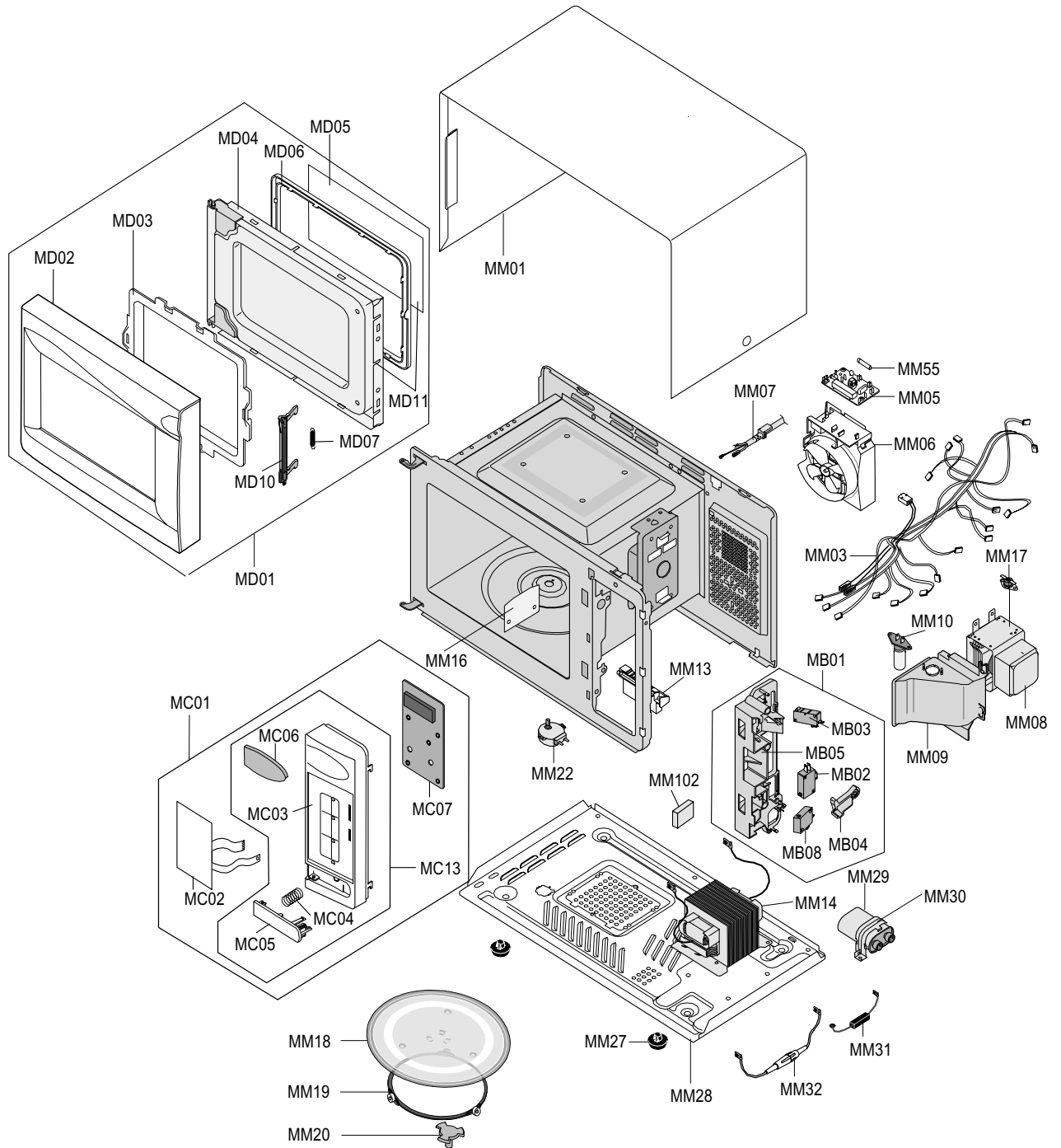
MOHINDRA

CONTENTS

1. Precaution
2. Specifications
3. Operating Instructions
4. Disassembly and Reassembly
5. Alignment and Adjustments
6. Trouble shooting
7. Exploded Views and Parts List
8. PCB Diagrams
9. Schematic Diagrams

7. Exploded Views and Parts List

7-1 Exploded Views



7-3 Control and Door Parts List

No.	Code No.	Description	Specification	Q'ty	Remark
MC01	-	ASSY CONTROL-BOX	-,M1933N,WHT,1.0 NC2K,2&2-PCB	1	S.N.A
MC02	DE34-00129A	SWITCH MEMBRANE	M1933N/XEG,-,-,PET,-,-,-,-,-,2&2	1	
MC03	DE72-70209A	CONTROL-PANEL	MWA49BW(3RD-1.0),ABS,150g,WHT,T2x107.5x284	1	
MC04	DE61-70076A	SPRING-BUTTON	-,HSWR,PI0.6,PI0.6,-,-,-,-,-,-	1	
MC05	DE66-20281A	BUTTON-PUSH	3RD-W B DESIGN,-,T2x37x86,-,-,15g	1	
MC06	DE67-40175A	WINDOW-DISPLAY	5G,SAN,-,-,-,-,SMG,-	1	
MC07	RC-N2LED1-00	ASSY PCB PARTS:M1933		1	
MC13	DE94-00096A	ASSY CONTROL-PANEL	-,MW5896W,-,S2-DESIGN,-,-,-	1	
MD01	-	ASSY DOOR	M1933,-,-,-,-,-,-	1	S.N.A
MD02	DE64-40326C	DOOR-A	ABS(HR0370),T2.0,-,-,-,M1933,-	1	
MD03	DE67-20187A	SCREEN-DOOR	SAN,T2.2,W377,L258,CLEAR,3RD-1	1	
MD04	DE94-00075B	ASSY DOOR-E	3RD-1.0,BLK,COATING,-,-,-,-	1	
MD05	DE01-00118A	FILM-DOOR	MW5896W,-,-,L185,T0.15,W304,-,-,-	1	
MD06	DE64-40012A	DOOR-C	-,RESIN-PP(TB53),BLACK,-,-,-,CE945GF,-	1	
MD07	DE61-70128A	SPRING-KEY	BLUING,HSW3,PI0.6,PI0.6,D5,D5,D5,-,BLUING,-,-	1	
MD10	DE64-40006F	DOOR-KEY	POM(F20-02),-,-,12G,BLK,MW7897G,NO-TALK	1	
MD11	DE94-00073B	ASSY DOOR-SUB	3RD-1.0,MW5897G,BLK,-,-,-,-,-	1	

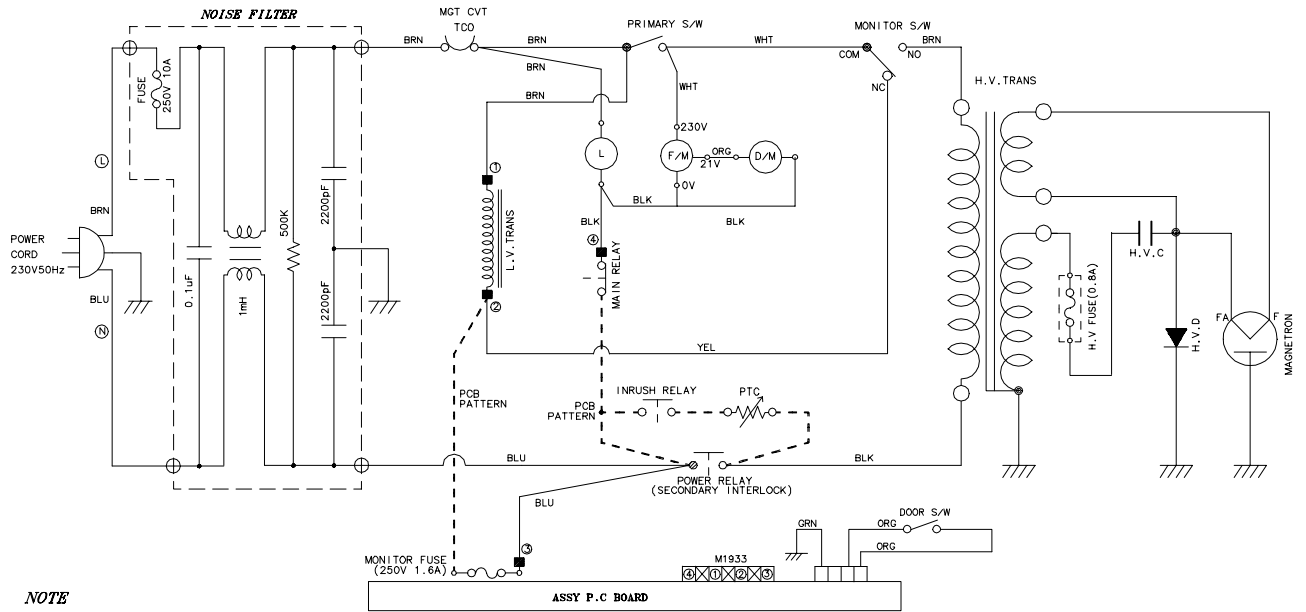
S.N.A : SERVICE NOT AVAILABLE

7-4 Standard Parts List

Code No.	Description	Specification	Q'ty	Remark
DE60-10012A	SCREW-TAP TITE	-,SWR10,M4,L10,TH,+,-,3,ZPC2,-	1	N/F-EAR
DE60-10012A	SCREW-TAP TITE	-,SWR10,M4,L10,TH,+,-,3,ZPC2,-	1	O-P SIDE
DE60-10012A	SCREW-TAP TITE	-,SWR10,M4,L10,TH,+,-,3,ZPC2,-	1	P/C-EAR
DE60-10012A	SCREW-TAP TITE	-,SWR10,M4,L10,TH,+,-,3,ZPC2,-	1	S/M-EAR
DE60-10059A	SCREW-TAP TH	-,SUS410,CR,TH,M4,-,L8,-,-	2	C/CEILING
DE60-10063A	SCREW-TAP TH	-,FEFN,-,TH,M4,-,L12,-,-	1	OUT/P
DE60-10080B	SCREW-WASHER	-,2S,SWRCH18A,ZP2,PH,PI5,-,L10,-,-	4	MGT
DE60-10080B	SCREW-WASHER	-,2S,SWRCH18A,ZP2,PH,PI5,-,L10,-,-	4	TNS-HV
DE60-10082H	SCREW-A	-,,-,-,2S-4X12,TOOTHED,-,-,-,-	3	B-PLTE
DE60-10082H	SCREW-A	-,,-,-,2S-4X12,TOOTHED,-,-,-,-	2	BD-LAT
DE60-10082H	SCREW-A	-,,-,-,2S-4X12,TOOTHED,-,-,-,-	2	CN-BOX
DE60-10082H	SCREW-A	-,,-,-,2S-4X12,TOOTHED,-,-,-,-	1	CV/AIR
DE60-10082H	SCREW-A	-,,-,-,2S-4X12,TOOTHED,-,-,-,-	2	MO/FAN
DE60-10082H	SCREW-A	-,,-,-,2S-4X12,TOOTHED,-,-,-,-	5	PN/OUT
DE60-10082H	SCREW-A	-,,-,-,2S-4X12,TOOTHED,-,-,-,-	2	TCO
DE60-10098A	SCREW-ASSY TAP TITE	-,GLD,SWRCH18A,ZPC2,PH,TC,-,M4X8,WT,-	2	M/DRV
DE60-10088A	SCREW-TAP PH	-,FEFZY,PLAIN,PH,M3,-,L8,-,-	2	
DE60-10098A	SCREW-ASSY TAP TITE	-,GLD,SWRCH18A,ZPC2,PH,TC,-,M4X8,WT,-	1	
DE60-10012A	SCREW-TAP TITE	-,SWR10,M4,L10,TH,+,-,3,ZPC2,-	1	

9. Schematic Diagrams

9-1 Schematic Diagrams



NOTE

- DOOR : OPEN
- ■ : PCB IN/OUT POINT

